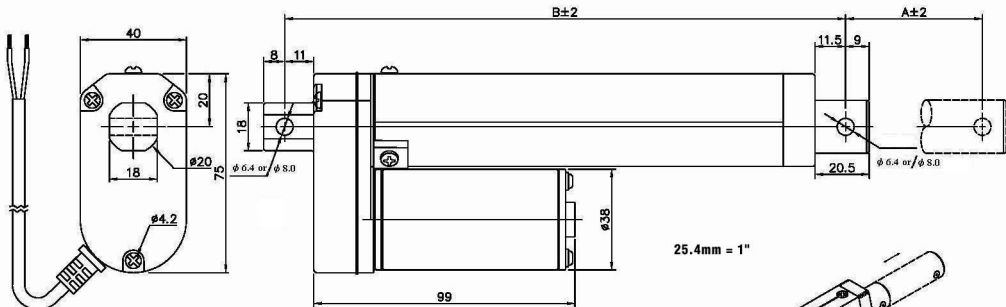


# E SERIES LINEAR ACTUATORS WITH BUILT-IN LIMIT SWITCHES

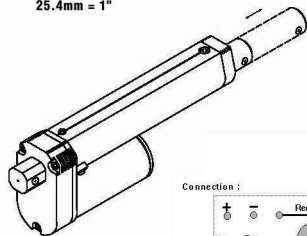


## Specifications

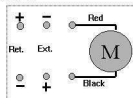
Model No.	6179E	6176E	6175E	6177E	6178E
Input Voltage	12 VDC				
Load Capacity	50 kg (110 lbs)				
Stroke Length (A)	50 mm (2")	100 mm (4")	150 mm (6")	200 mm (8")	300 mm (12")
Retracted Length (B)	158 mm	209 mm	260 mm	311 mm	413 mm
Extended Length (B+A)	208 mm	309 mm	410 mm	511 mm	713 mm
Gear Ratio	20:1				
Screw	ACME Screw				
Full Load Speed (sec)	13mm/sec. (.5"/sec.)				
Clevis Ends	φ 6.4 mm	φ 6.4 mm	φ 6.4 mm	φ 6.4 mm	φ 6.4 mm
Duty Cycle	25%				
Operation Temperature Range	-26°C ~ 65°C (-15°F ~ 160°F)				
Limit Device	Microswitch				
Potentiometer	None				
Static Load	230 kg (500 lbs)				

### CUSTOM OEM ORDERING OPTIONS

- Actuators also available in 24VDC versions (12VDC STANDARD).
- Potentiometer built in for actuator positioning (use your microcontroller to determine and precisely control actuator positioning)
- Actuators travel speed can also be modified with custom gearing.



Connection :



REV.	DESCRIPTION			BY	DATE	APPROVED	DATE
LIMIT	mm		MATERIAL				VERSION
SCALE	1 : 1		FINISH				
ISSUE			DRN.				REV.
			DSN.				
			CKD.				
			APPO.				
				<b>12VDC w/limit switch built-in</b>			
				DRAW NO. <b>01-18438</b>			
				<b>AEInc.</b>			
				<b>C</b>			