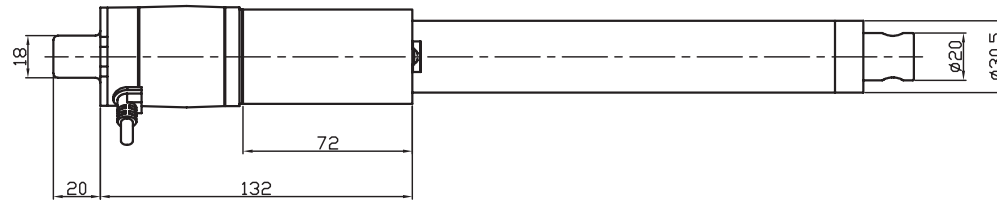
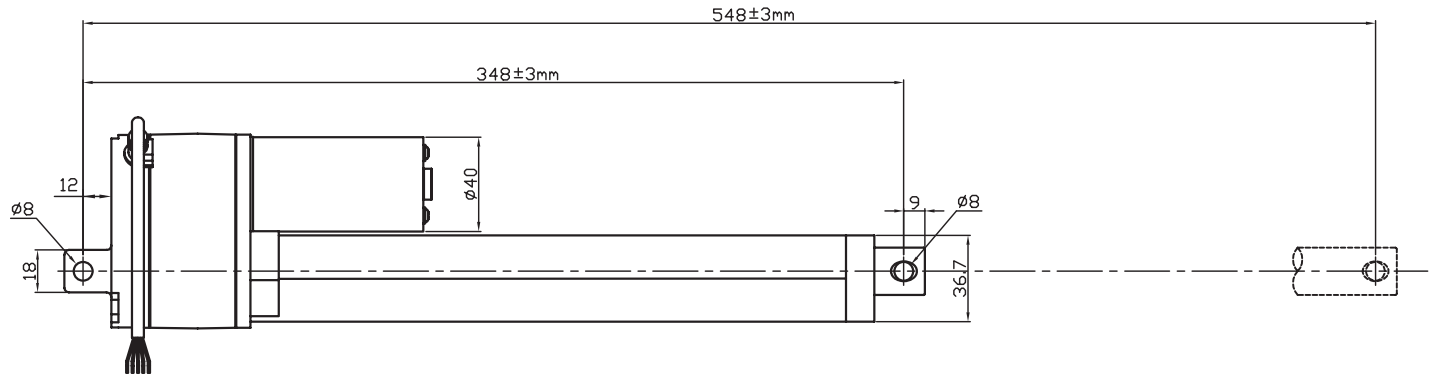
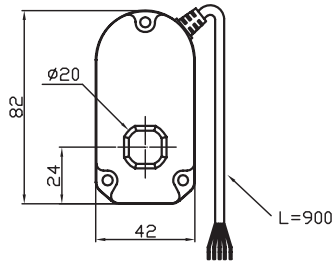


Gear Ratio	No Load speed(mm/s)	Max. Load(N)
20:1	15	500
Motor Speed	6000rpm	
Input	12V(DC)	
Ohm/mm	46	
Stroks	200mm	



WIRE COLOR	COMMENT
RED	MOTOR(+)
BLACK	MOTOR(-)
WHITE	GROUND
YELLOW	V INPUT
BLUE	RS INPUT



TOL±	PL.	MGAL	ME.	RU.	PC.B.	ACCELE			
RANGE						APPROVED:	TITLE:	Drawing No.:	VER.
0 ~ 5	0.05	0.05	0.05	0.03	0.10		AE-6108TP		
5 ~ 30	0.08	0.10	0.10	0.10	0.10				
30 ~ 80	0.10	0.15	0.10	0.15	0.15	CHECKED:	MATERIAL:	PART No.:	
80 ~ 150	0.15	0.20	0.15	0.20	0.15	DESIGNED: Jeff	FINISH:	DATE:	2011/05/04
150 ~ 300	0.20	0.25	0.20	0.25	0.20				
300 ~ 450	0.25	0.30	0.30	0.30	0.30				

SYM.	DESCRIPTION OF REVISIONS	DATE	DRAWN
3RD. ANGLE'S:	UNIT : mm	SCALE: 1 : 1	SIZE : A1

1 2 3

A B C D