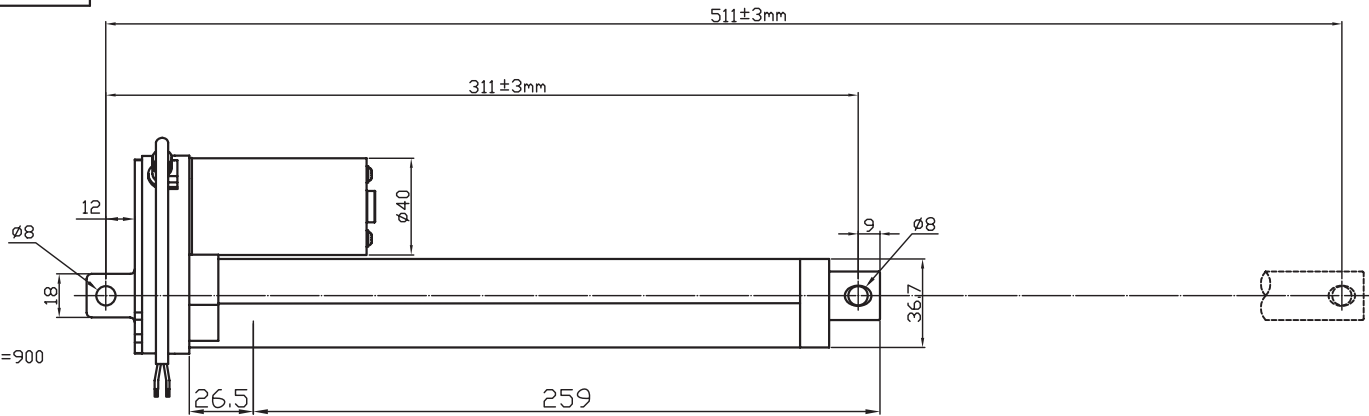
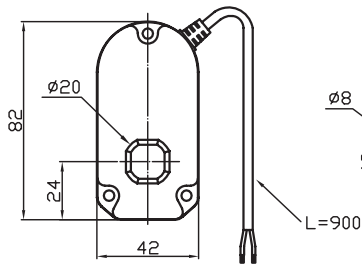
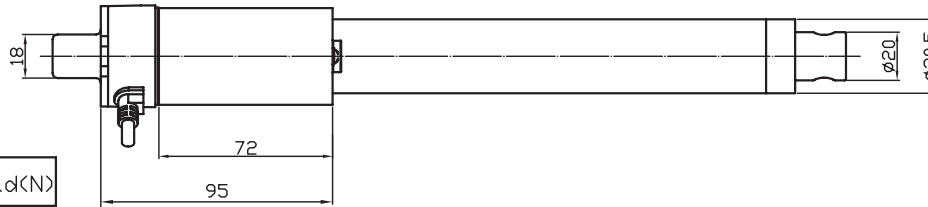


Gear Ratio	No Load speed(mm/s)	Max. Load(N)
20:1	15	500
Motor Speed	6000rpm	
Input	12V (DC)	
Stroks	200mm	



WIRE COLOR	Extended	Retracted
RED	(+)	(-)
BLACK	(-)	(+)

TOL±	PL.	MGAL.	ME.	RU.	PCB.
0 ~ 5	0.05	0.05	0.05	0.03	0.10
5 ~ 30	0.08	0.10	0.10	0.10	0.10
30 ~ 80	0.10	0.15	0.10	0.15	0.15
80 ~ 150	0.15	0.20	0.15	0.20	0.15
150 ~ 300	0.20	0.25	0.20	0.25	0.20
300 ~ 450	0.25	0.30	0.30	0.30	0.30

ACCELE

AE-6108T

Jeff

2011/05/04

SYM.	DESCRIPTION OF REVISIONS	DATE	DRAWN

3RD. ANGLE'S:	UNIT : mm	SCALE: 1 : 1	SIZE : A1	SHEET	OF
---------------	-----------	--------------	-----------	-------	----

APPROVED:	TITLE:	Drawing No.:	VER.
	AE-6108T		
CHECKED:	MATERIAL:	PART No.:	
DESIGNED:	FINISH:	DATE:	
Jeff		2011/05/04	