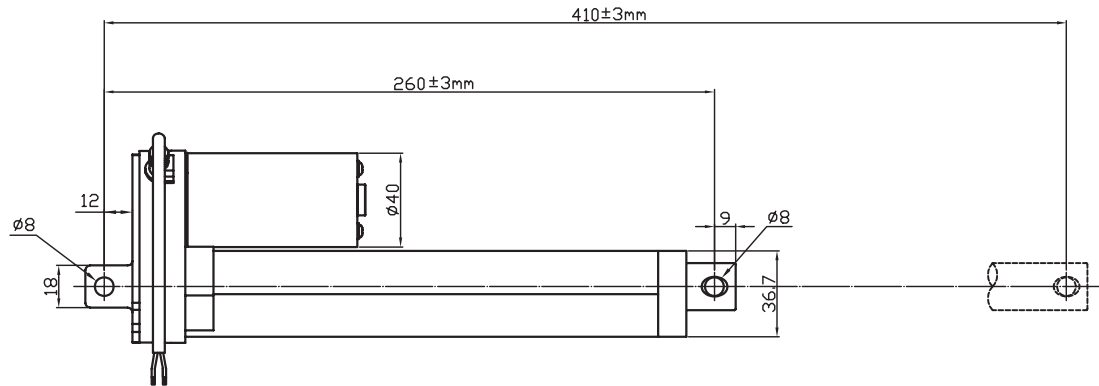
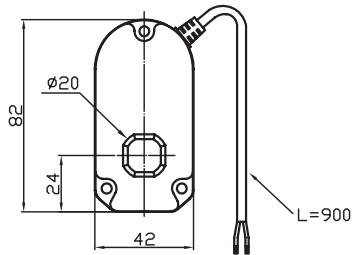
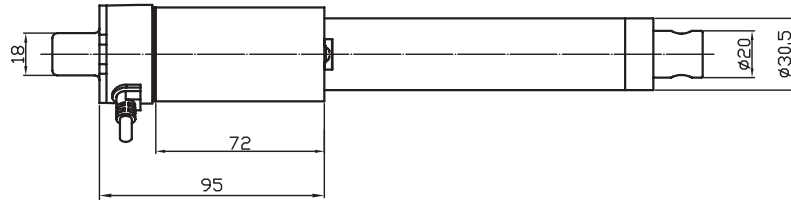


Gear Ratio	No Load speed(mm/s)	Max. Load(N)
20:1	15	500
Motor Speed	6000rpm	
Input	12V (DC)	
Stroks	150mm	



WIRE COLOR	Extended	Retracted
RED	(+)	(-)
BLACK	(-)	(+)

TOL±	PL.	MGAL	ME.	RU.	PCB.
0 ~ 5	0.05	0.05	0.05	0.03	0.10
5 ~ 30	0.08	0.10	0.10	0.10	0.10
30 ~ 80	0.10	0.15	0.10	0.15	0.15
80 ~ 150	0.15	0.20	0.15	0.20	0.15
150 ~ 300	0.20	0.25	0.20	0.25	0.20
300 ~ 450	0.25	0.30	0.30	0.30	0.30

ACCELE

APPROVED:

TITLE:

Drawing No.

VER.

AE-6106T

CHECKED:

MATERIAL:

PART No.

DESIGNED:

FINISH:

DATE:

Jeff

2011/05/04



DESCRIPTION OF REVISIONS

DATE

DRAWN

3RD. ANGLE'S:

UNIT : mm

SCALE: 1 : 1

SIZE : A1

SHEET

OF

A

B

C

D