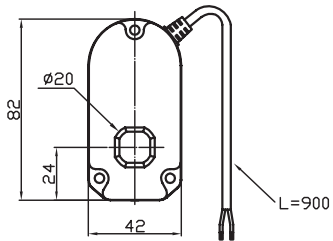
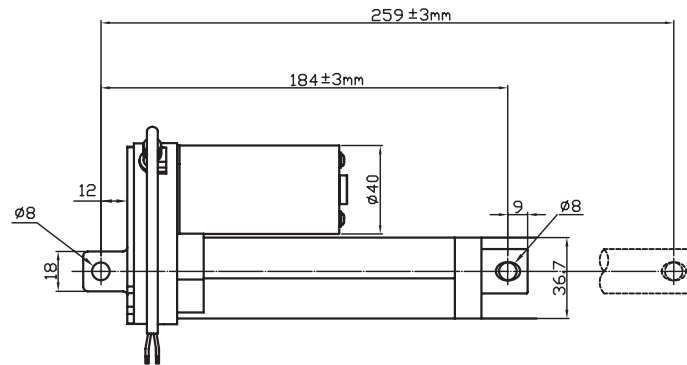
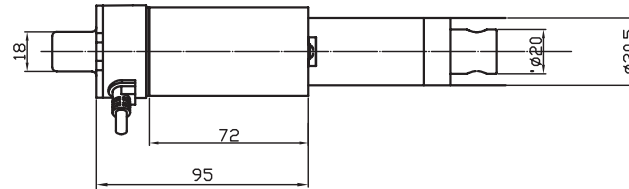


Gear Ratio	No Load speed(mm/s)	Max. Load(N)
20:1	15	500
Motor Speed	6000rpm	
Input	12V (DC)	
Stroks	75mm	



WIRE COLOR	Extended	Retracted
RED	(+)	(-)
BLACK	(-)	(+)



										ACCELE		
TOL±	PL.	MGAL.	ME.	RU.	PCB.	APPROVED:		TITLE:	Drawing No.	VER.		
0 ~ 5	0.05	0.05	0.05	0.03	0.10			AE-6103T				
5 ~ 30	0.08	0.10	0.10	0.10	0.10							
30 ~ 80	0.10	0.15	0.10	0.15	0.15	CHECKED:		MATERIAL:	PART No.			
80 ~ 150	0.15	0.20	0.15	0.20	0.15							
150 ~ 300	0.20	0.25	0.20	0.25	0.20	DESIGNED:		FINISH:	DATE:			
300 ~ 450	0.25	0.30	0.30	0.30	0.30	Jeff			2011/05/04			



SYM.	DESCRIPTION OF REVISIONS	DATE	DRAWN
3RD. ANGLE'S:	UNIT : mm	SCALE: 1 : 1	SIZE : A1

