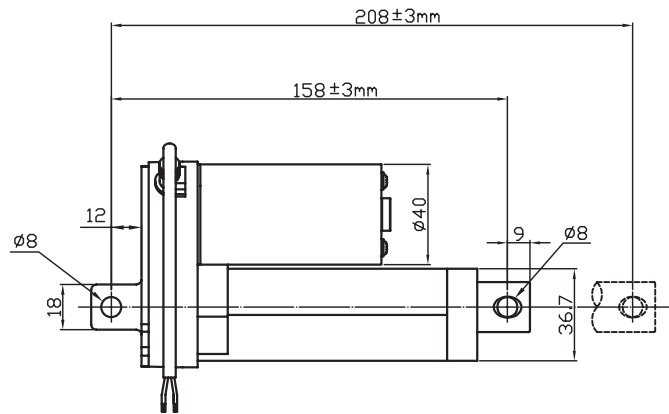
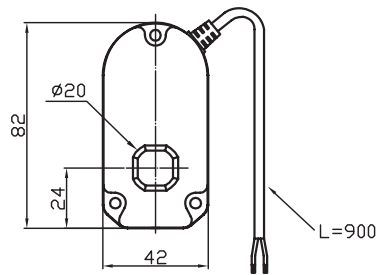
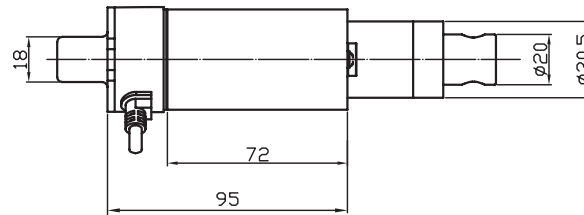


Gear Ratio	No Load speed(mm/s)	Max. Load(N)
20:1	15	500
Motor Speed	6000rpm	
Input	12V (DC)	
Stroks	50mm	



WIRE COLOR	Extended	Retracted
RED	(+)	(-)
BLACK	(-)	(+)

TOL.#	PL.	MGAL	ME.	RU.	PCB.
0 ~ 5	0.05	0.05	0.05	0.03	0.10
5 ~ 30	0.08	0.10	0.10	0.10	0.10
30 ~ 80	0.10	0.15	0.10	0.15	0.15
80 ~ 150	0.15	0.20	0.15	0.20	0.15
150 ~ 300	0.20	0.25	0.20	0.25	0.20
300 ~ 450	0.25	0.30	0.30	0.30	0.30

ACCELE

APPROVED:		TITLE:	Drawing No:	VER:
		AE-6102T		
CHECKED:		MATERIAL:	PART No:	
DESIGNED:		FINISH:	DATE:	
Jeff			2011/05/04	



SYM. DESCRIPTION OF REVISIONS DATE DRAWN

3RD. ANGLE'S: UNIT: mm SCALE: 1:1 SIZE: A2 SHEET OF