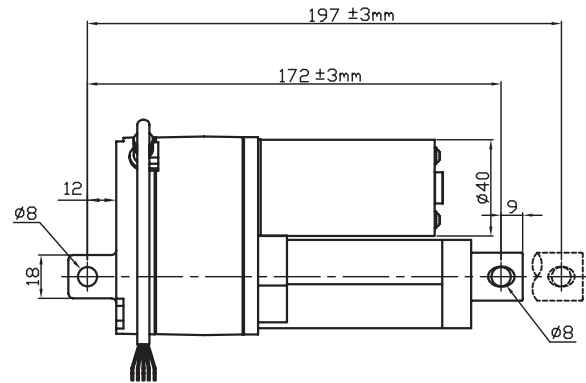
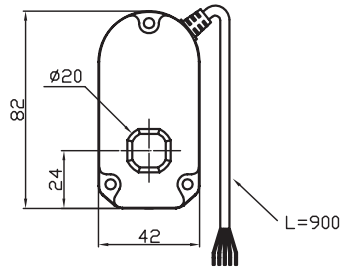
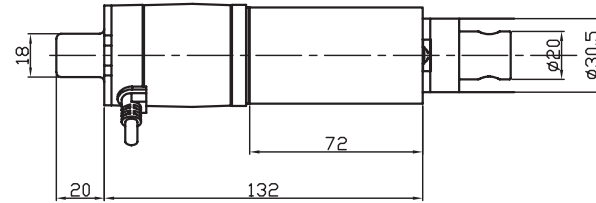


Gear Ratio	No Load speed(mm/s)	Max. Load(N)
20:1	15	500
Motor Speed	6000rpm	
Input	12V(DC)	
Ohm/mm	185	
Stroks	25.4mm	



WIRE COLOR	COMMENT
RED	MOTOR(+)
BLACK	MOTOR(-)
WHITE	GROUND
YELLOW	V INPUT
BLUE	RS INPUT

TOL±	PL.	MGAL.	ME.	RU.	PCB.	ACCELE				
RANGE	0 ~ 5	0.05	0.05	0.05	0.03	0.10	APPROVED:	TITLE: AE-6101TP	Drawing No.:	VER.
	5 ~ 30	0.08	0.10	0.10	0.10	0.10	CHECKED:	MATERIAL:	PART No.:	
	30 ~ 80	0.10	0.15	0.10	0.15	0.15	DESIGNED: Jeff	FINISH:	DATE: 2011/05/04	
	80 ~ 150	0.15	0.20	0.15	0.20	0.15				
	150 ~ 300	0.20	0.25	0.20	0.25	0.20				
	300 ~ 450	0.25	0.30	0.30	0.30	0.30				



SYM.	DESCRIPTION OF REVISIONS	DATE	DRAWN

3RD. ANGLE'S:	UNIT : mm	SCALE: 1 : 1	SIZE : A1	SHEET	OF
---------------	-----------	--------------	-----------	-------	----