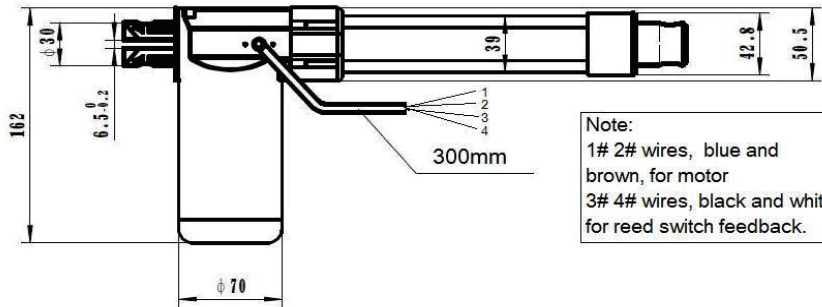
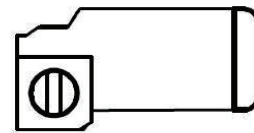
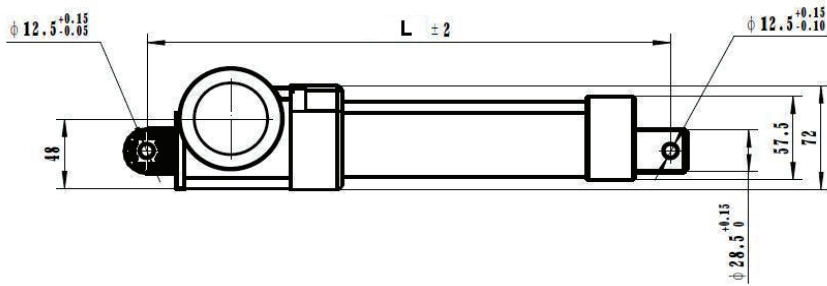
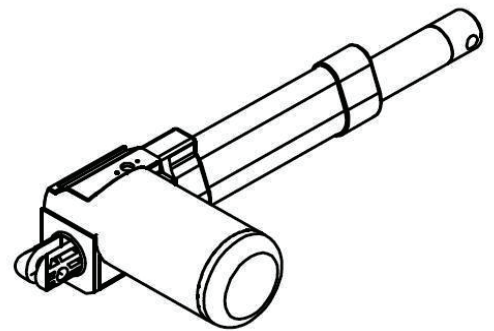


# "C" SERIES LINEAR ACTUATOR

# TECHNICAL SPECIFICATIONS



Note:  
 1# 2# wires, blue and brown, for motor  
 3# 4# wires, black and white, for reed switch feedback.



## SPECIFICATION:

Input Voltage	12 VDC
Current Draw	2-5 Amps @ No Load, 8 Amps @ Full Load
Load Capacity	890N 200 Pound
Speed at no Load	35mm/sec. (1.5"/sec)
Speed at Full Load	15mm/sec. (.6"/sec)
Limit Switch	Build-in
Reed Switch Feedback	Yes
Duty Cycle	S2-10min
Static Load	890N
Inner Tube	Aluminum Alloy
Color	Grey
IP Grade	IP66
Opertation Temperature	-26C ~ 65C

Dimensions are listed in mm  
 (25.4 mm = 1 inch)

PART NUMBER:	6102C	6104C	6106C	6112C	6118C	6124C	6130C	6136C	6138C	6142C
Stroke Length	50	100	150	300	450	600	762	900	965	1066
L1: Retracted Length	229	280	327	479	660	813	966	1118	1162	1264

## CONTACT: