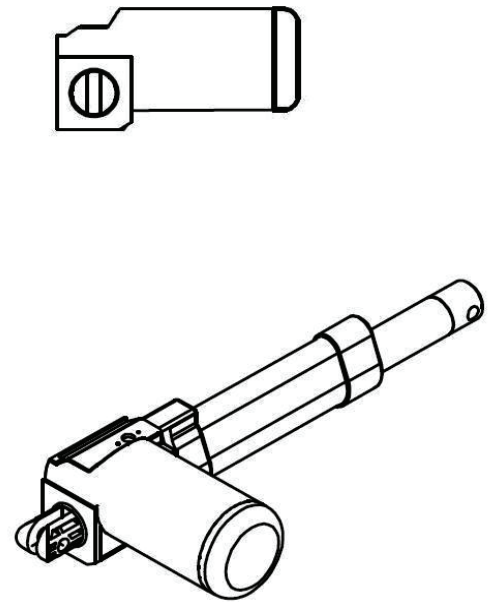
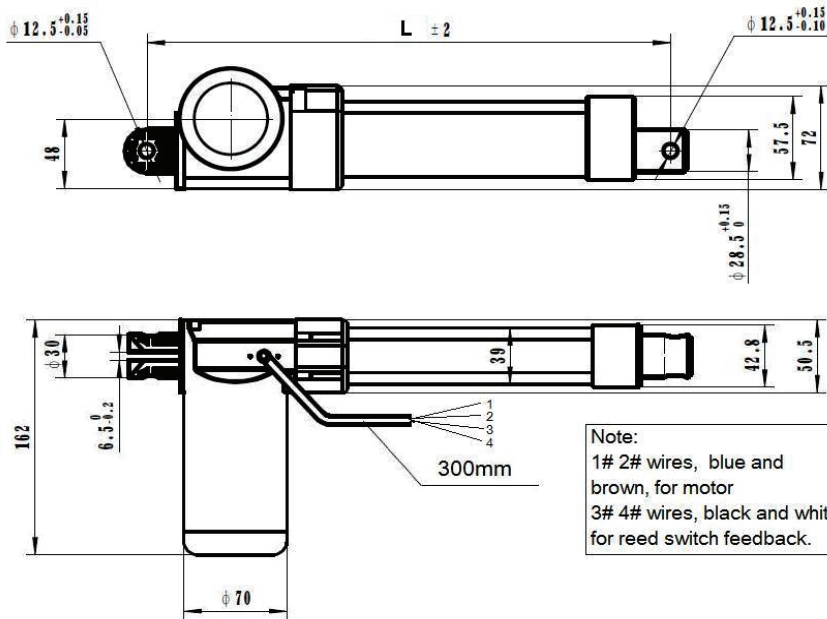


"CH" SERIES LINEAR ACTUATOR

TECHNICAL SPECIFICATIONS



SPECIFICATION:

Input Voltage	12 VDC
Current Draw	3 Amps @ No Load, 10.3 Amps @ Full Load
Load Capacity	5000N 1,000 Pound
Speed at no Load	11mm/sec. (.4"/sec)
Speed at Full Load	8mm/sec. (.3"/sec)
Limit Switch	Build-in
Reed Switch Feedback	Yes
Duty Cycle	S2-10min
Static Load	5000N
Inner Tube	Aluminum Alloy
Color	Grey
IP Grade	IP66
Opertation Temperature	-26C ~ 65C

Dimensions are listed in mm
(25.4 mm = 1 inch)

PART NUMBER:	6102CH	6104CH	6106CH	6112CH	6118CH	6124CH	6130CH	6136CH	6148CH
Stroke Length	50	100	150	300	450	600	762	900	1219
L1: Retracted Length	229	280	327	479	660	813	966	1118	1416

CONTACT:

TEL: (562) 809-8262 • FAX: (562) 865-5640